

# MOEN®

## Specifications

### DESCRIPTION

- Metal construction with various finishes identified by suffix
- Compatible with M•pact™ valve system

### OPERATION

- Lever style handles
- Maximum handle rotation angle is 90° to full on for either handle
- Rotate hot side handle counterclockwise to open (clockwise to close)
- Rotate cold side handle clockwise to open and (counterclockwise to close)

### FLOW

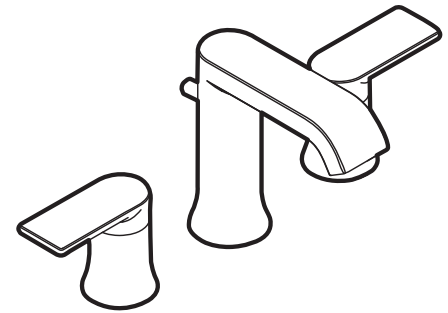
- Water usage is limited to these maximum flow rates as indicated by the corresponding product markings.
- 1.2gpm max (4.5L/min)

### STANDARDS

- Third party certified to meet Watersense®, ASME A112.18.1/CSA B125.1 and all applicable requirements referenced therein
- ADA ♿ for lever handles
- Certified to NSF 61/9 + 372

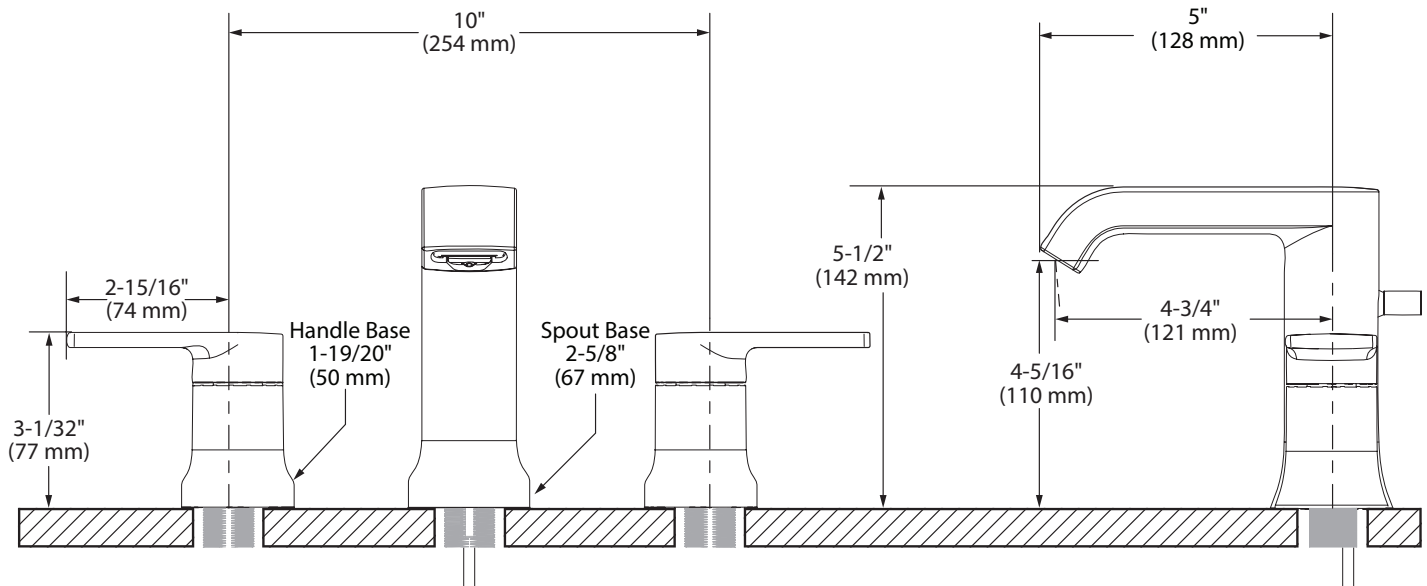
### WARRANTY

- Lifetime limited warranty against leaks, drips and finish defects to the original homeowner
  - 10 year limited warranty when used in a multifamily installation
  - 5 year limited warranty when used in a commercial installation
- Visit [www.moen.com/support](http://www.moen.com/support) for complete details and limitations



**GENTA™**  
**Two-Handle Widespread**  
**Lavatory Faucet Trim**  
**Models: T6708 series**

**Valves: 9000, 69000**



### CRITICAL DIMENSIONS

(DO NOT SCALE)